

VendNovation

CONTROLLED ACCESS PHARMACY

Life-Assist
Helping Heroes Save Lives

+1 800 824 6016



24/7 Controlled Access
True Inventory Visibility
Real Time Reporting

A sensible solution to today's challenges of controlling access, tracking inventory, and dispensing products according to access protocol.



Are you letting a problem grow?

- Do you know what your **on-hand inventory is right now?** Do you know exactly **where** it's located?

- Can you identify the people **who can access** your medical supplies?

- If you had an **internal shortage**, could you track it to its **source**?

- Can you ensure that **controlled substances** are only accessed by those with proper credentials? Does your process **meet the DEA requirements** for narcotic controlled storage and reporting?

- Are you able to track **lot numbers** and **expiration dates** automatically?
- Can you see where expiring product is located to ensure it is used and not wasted?

- How do you know when it's **time to re-order**? Do you know how much inventory to have on hand at any time? Do you know how quickly you use everything? Have you ever been surprised to **run out**?

- How do you **audit and provide reporting** on the pharmaceutical and medical supplies you are already using now?



Now is the best time stop the problem from growing!



It's your **solution** to a **growing problem.**

A Controlled Access Pharmacy (CAP) allows EMS, pharmaceutical, veterinary, and other medical professionals the ability to restock their dispensing units 24/7 and have real-time usage and inventory tracking.



The CAP can check multiple forms of ID and will prompt for station- or dispatch-specific data. All withdrawals are cataloged, time stamped, and regulated by tech clearance or training level.

In addition to aggregating all dispensing history, the CAP alerts you when your inventory is low or you have products near expiration. It can also automatically generate "pick lists" for restocking. You are able to generate all types of reports, including individual call reports based on products restocked.



Reports of all types can be printed or exported to your Accounts Payable/ Receivable or EPC software.

Intelligent dispensing for EMS, veterinary, dental, and related industries!

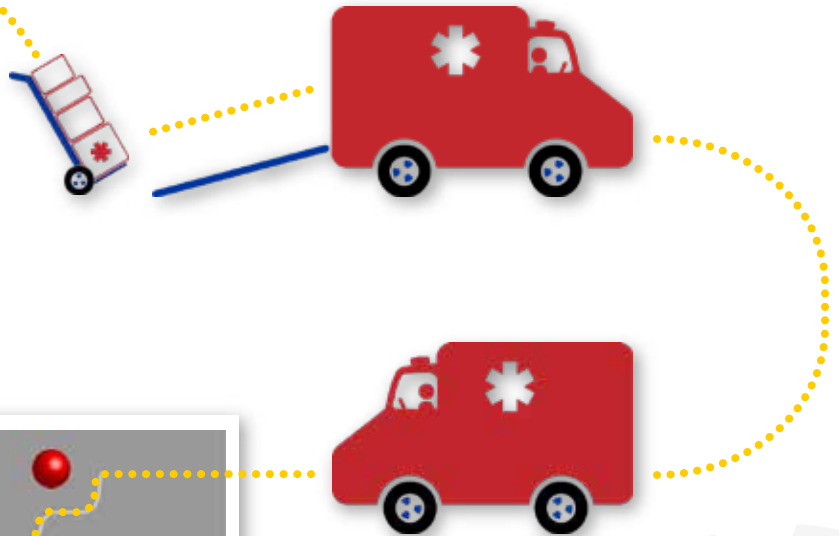


What does a CAP do?

A Controlled Access Pharmacy by VendNovation uses the latest inventory and tracking technology for instant recording, reporting, and tracking of supplies.



- Cloud-hosted software enables your VN CAP to track the inventory in all of your dispensing equipment as well as in your stock room and vehicles*, so that your complete network of products can be tracked for reordering and expiration status.



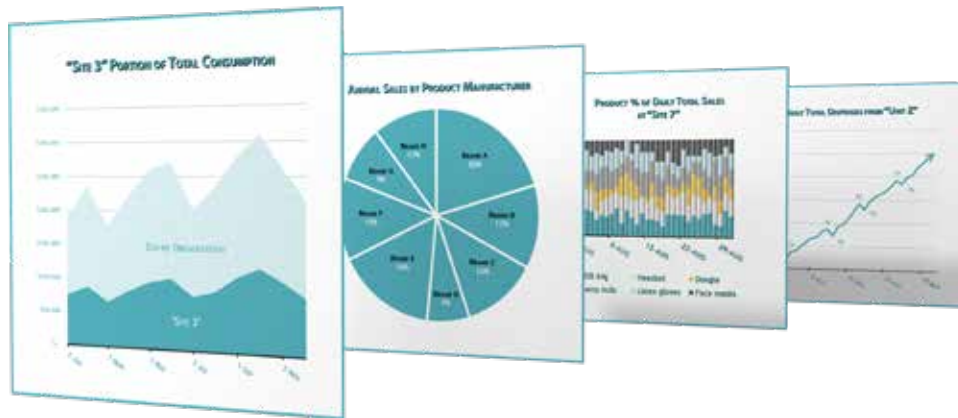
- Dispensing data is available **Online 24/7** and accessible through a **secure login**.

**Use our "Supply Rooms" feature to track your inventory outside of your dispensing units.*



What can you do with a VN CAP?

- Usage reports, re-stock lists, current inventory, and many other management reports can be generated, printed, or exported for use in your preferred billing/tracking/EPC software.



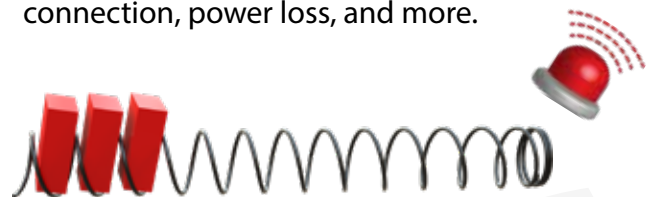
- You can configure your CAP to keep temperature between specified min and max.

maximum __55°F

minimum __40°F



- Alerts can be sent to key personnel via email to warn of low stock positions, expiring product, loss of Internet connection, power loss, and more.



Authorized personnel can use existing identification methods, which can include a combination of:



PIN NUMBER

BIOMETRIC SCANNER

PROXIMITY CARD READER (RFID)

BAR CODE ID SCANNER

The more you use it, the more you will use it for!

IQ 640



Increase productivity and reduce downtime by making your single storage point into your point of use.



- **UP TO 60 ROWS**
43 standard configuration

- **STAINLESS FASCIA**



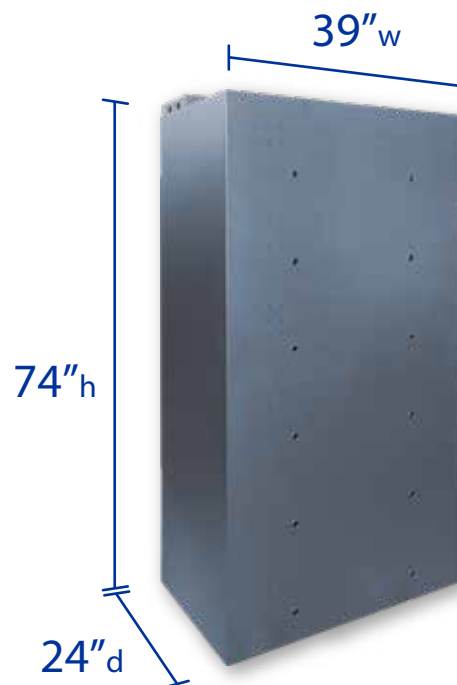
- **BIG DELIVERY DOOR**

- **INTERIOR LIGHTS**
- **DOOR HINGE SUPPORT**
- **EASY-TO-MOVE FEET**
- **LARGE GLASS WINDOW**
- **EASY-ACCESS SERVICE PANELS**
- **STAINLESS STEEL CONSTRUCTION**

LOCKER 12 S



Accommodate items that are a bit larger than most.



■ **12 BAYS**

■ **BAY SIZE:**

11.5"h x 18.125"w x 23"d



■ **DOOR OPENING:**

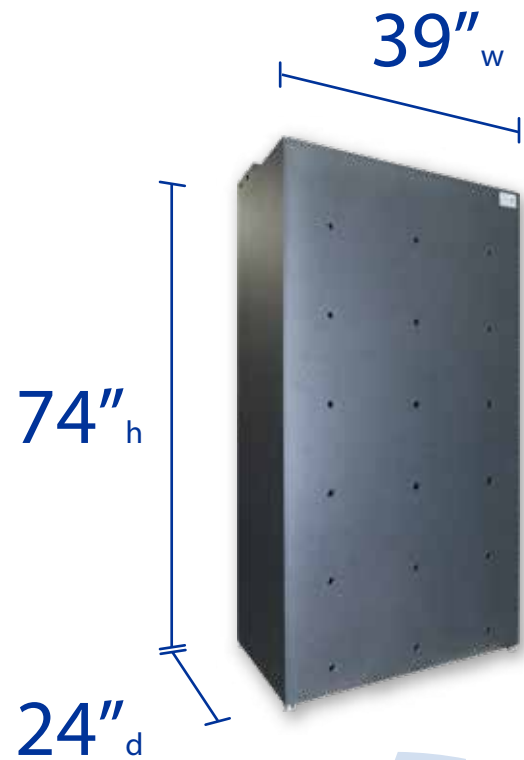
10.375"h x 15.75"w

- **BAY LIGHTS**
- **DURABLE ELECTRONIC LOCKS**
- **SOLID OR WINDOWED DOORS**
- **EASY-ACCESS SERVICE PANELS**
- **STAINLESS STEEL CONSTRUCTION**

LOCKER 18 S



Single and multiple item dispense, check-in/check-out, loan periods, and asset management, are all possible with lockers.



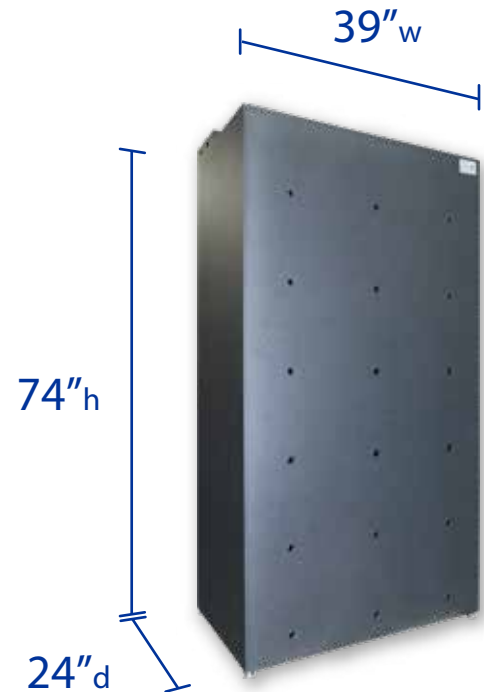
- **18 BAYS**
- **BAY SIZE:**
11.5"h x 12.75"w x 23"d
- **DOOR OPENING:**
10.375"H X 10.375"W



- **BAY LIGHTS**
- **DURABLE ELECTRONIC LOCKS**
- **SOLID OR WINDOWED DOORS**
- **EASY-ACCESS SERVICE PANELS**
- **STAINLESS STEEL CONSTRUCTION**



Any vertically-adjacent 2 or 3 bays can be reconfigured.



■ UP TO 18 AYS

■ BAY SIZES:

11.5"h x 12.75"w x 23"d - size D1

23"h x 12.75"w x 23"d - size D2

34.5"h x 12.75"w x 23"d - size D3

■ DOOR OPENINGS:

10.375"h x 10.375"w - size D1

21.875"h x 10.375"w - size D2

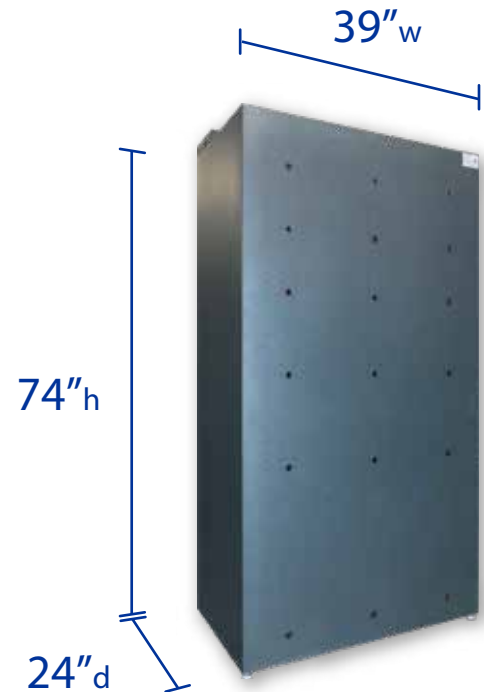
33.375"h x 10.375"w - size D3



- BAY LIGHTS
- DURABLE ELECTRONIC LOCKS
- WINDOWED DOORS
- EASY-ACCESS SERVICE PANELS
- STAINLESS STEEL CONSTRUCTION



Accommodate a range of sizes in a single locker unit.



- **18 BAYS**
- **BAY SIZES:**
 - 9 - 8"h x 12.75"w x 23"d
 - 6 - 12"h x 12.75"w x 23"d
 - 3 - 21"h x 12.75"w x 23"d
- **DOOR OPENINGS:**
 - 6.875"h x 10.375"w
 - 10.875"h x 10.375"w
 - 19.875"h x 10.375"w

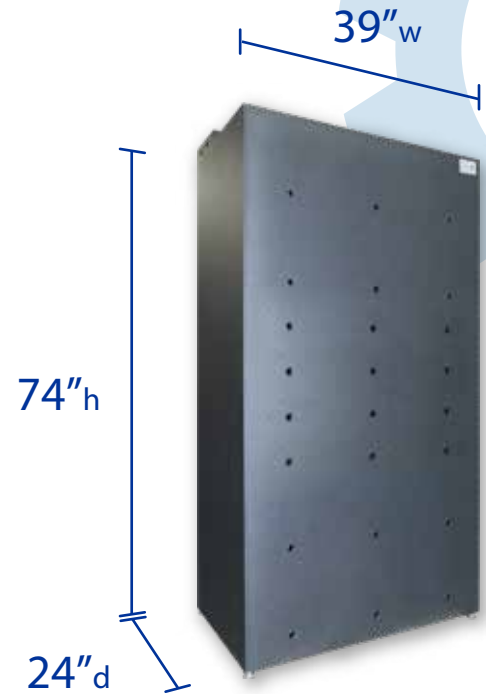
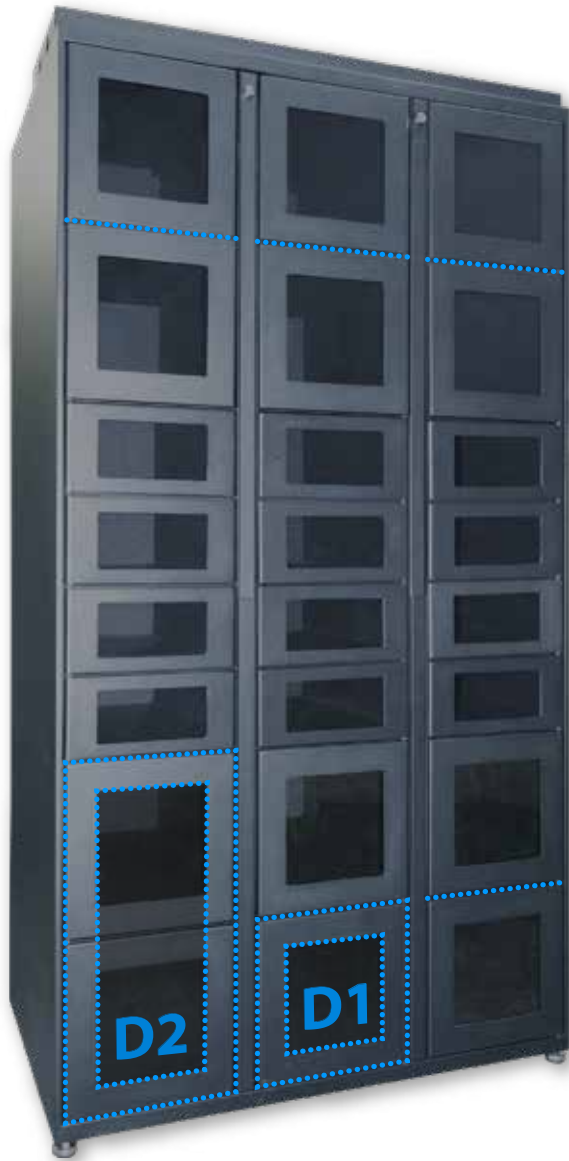


- **BAY LIGHTS**
- **DURABLE ELECTRONIC LOCKS**
- **WINDOWED DOORS**
- **EASY-ACCESS SERVICE PANELS**
- **STAINLESS STEEL CONSTRUCTION**

LOCKER 24 C



Reconfigure any vertically- adjacent 2 of the top 6 or bottom 6 bays.



■ UP TO 24 AYS

■ BAY SIZES:

12 - 5.75"h x 12.75"w x 23"d - fixed

12 - 11.5"h x 12.75"w x 23"d - size D1

OR

6 - 21"h x 12.75"w x 23"d - size D2

■ DOOR OPENINGS:

4.625"h x 10.375"w - fixed

10.375"h x 10.375"w - size D1

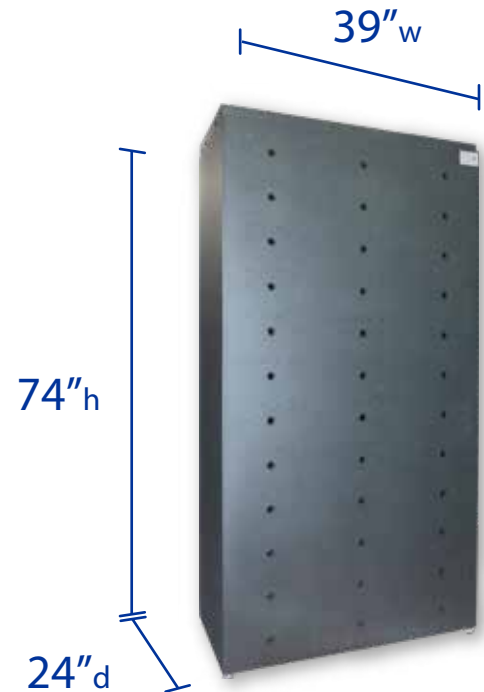
21.875"h x 10.375"w - size D2



- BAY LIGHTS
- DURABLE ELECTRONIC LOCKS
- WINDOWED DOORS
- EASY-ACCESS SERVICE PANELS
- STAINLESS STEEL CONSTRUCTION



Accommodate the highest count of the smallest locker items.



■ **36 BAYS**

■ **BAY SIZE:**
5.75"h x 12.75"w x 23"d

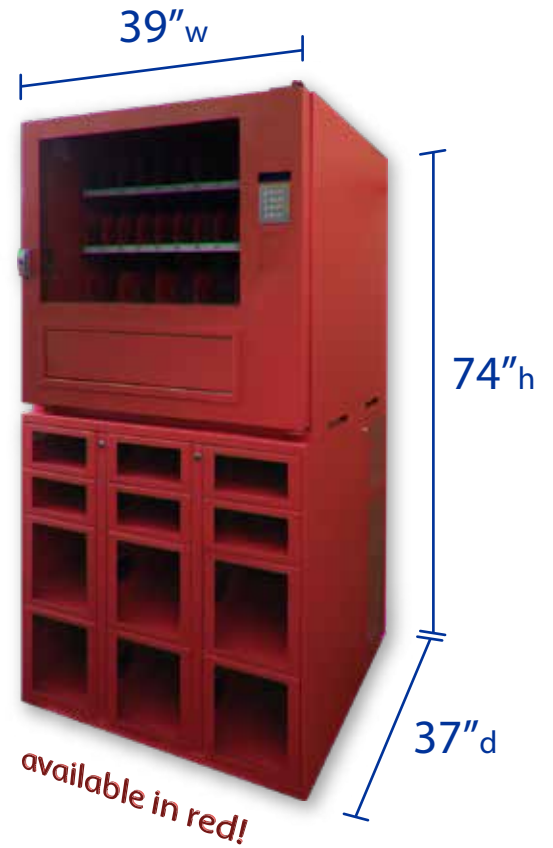


■ **DOOR OPENING:**
4.625"h x 10.375"w

- **BAY LIGHTS**
- **DURABLE ELECTRONIC LOCKS**
- **SOLID OR WINDOWED DOORS**
- **EASY-ACCESS SERVICE PANELS**
- **STAINLESS STEEL CONSTRUCTION**



Get into an Intelligent Dispensing System (IDS) with a lower startup cost.



■ **46 ITEMS:**

- 30 - coil-drive rows
- 16 - locker bays

■ **BAY SIZES:**

- 6 - 11.5" h x 12.75" w x 23" d
- 8 - 11.5" h x 12.75" w x 23" d - size D1
- 2 - 17.5" h x 12.75" w x 23" d



- INTERIOR AND BAY LIGHTS
- DURABLE ELECTRONIC LOCKS
- WINDOWED DOORS
- EASY-ACCESS SERVICE PANELS
- STAINLESS STEEL CONSTRUCTION
- MULTIPLE ROWS CAN BE 'PAIRED' TO ACCOMMODATE ITEM WIDTH
- EXTRA WIDE DELIVERY DOOR
- OVERSTOCK STORAGE IN COIL UNIT



VendNovation

SUPPORT

We're there when you need us!

If you need some troubleshooting or you are learning to use new functionalities in any part of your system, give us a call!

Customer service is included with your subscription!

(425)637-2344



EQUIPMENT

Are you reconfiguring the doors on your 18C locker?

Do you need alternate coil sizes for your COLO?



Are you adding Bulk Counters to your 24C locker?

Contact us for new or replacement parts for any VendNovation dispensing units or accessories.



info@vendnovation.com

COMPATIBILITY

Contact us if you already have some equipment that you would like to use in your VendNovation Intelligent Dispensing System (IDS).

A VendNovation IDS can include and run equipment produced by several major manufacturers!

Life-Assist
Helping Heroes Save Lives

+1 800 824 6016