



Inter-Guard™ and Inter-Therm™

Breathing filters and HMEFs – Sterile



Airway Management ▪ Breathing Filters, HMEs and HMEFs

Inter-Guard™ breathing filters range

Sterile

The Inter-Guard range of sterile breathing filters is designed for use in breathing systems in the operating room and the intensive care unit for the protection of the patient, breathing system and equipment. The perfect combination between size and performance.

Inter-Guard is supplied sterile

Turbo webs

Evenly distributes the air flow to ensure all of the filter media is utilized

Validated against bacterial and viral challenges

Through following independent protocols




Retainable port caps

Standard safety feature



Make an inquiry



| Code | 1344030S  | 1344031S  | 1344032S  |
|-------------------------------|--|--|--|
| Box Qty. | 50 | 50 | 20 |
| Luer lock port | | ✓ | |
| Filtration efficiency | >99.998% | >99.998% | >99.998% |
| Resistance to flow at 30L/min | 0.8cm H ₂ O | 0.8cm H ₂ O | 1.1cm H ₂ O |
| Resistance to flow at 60L/min | 2.0cm H ₂ O | 2.0cm H ₂ O | 2.7cm H ₂ O |
| Compressible volume | 41ml | 42ml | 42ml* |
| Weight | 22g | 23g | 36g |
| Connectors | 22ID/15OD – 22OD/15ID | 22ID/15OD – 22OD/15ID | 22ID/15OD – 22OD/15ID |
| Minimum tidal volume | >150ml | >150ml | >150ml |
| Accessories | | | Superset™ catheter mount |



Inter-Therm™ HMEFs range

Sterile

The Inter-Therm range of sterile HMEFs is designed for use in breathing systems in the operating room and the intensive care unit. The Inter-Therm includes a wound paper HME media, providing excellent humidification and low resistance properties.

Inter-Therm is supplied sterile

Turbo webs

Evenly distributes the air flow to ensure all of the filter media is utilized

Validated against bacterial and viral challenges

Through following independent protocols

HME on the patient side

Ensures low resistance to flow during use

Wound paper HME element

Provides high moisture return

Retainable port caps







Standard safety feature



Make an inquiry



Inter-Therm™
Mini Angled Inter-Therm™ Mini

| Code | 1341030S  | 1341031S  | 1341032S  | 1341033S  | 1332030S  | 1331030S  |
|----------------------------|--|--|--|--|--|--|
| Box Qty. | 50 | 50 | 20 | 20 | 50 | 50 |
| Luer lock port | | ✓ | ✓ | ✓ | ✓ | ✓ |
| Moisture loss | 6mg H ₂ O/L | 6mg H ₂ O/L | 6mg H ₂ O/L | 6mg H ₂ O/L | 8.5mg H ₂ O/L | 8.4mg H ₂ O/L |
| Calculated moisture return | 32.3mg H ₂ O/L | 32.3mg H ₂ O/L | 32.3mg H ₂ O/L | 32.3mg H ₂ O/L | 30.1mg H ₂ O/L | 30.2mg H ₂ O/L |
| Filtration efficiency | >99.998% | >99.998% | >99.998% | >99.998% | >99.99% | >99.99% |
| Resistance at 30L/min | 1.6cm H ₂ O | 1.6cm H ₂ O | 1.4cm H ₂ O | 1.6cm H ₂ O | 2.2cm H ₂ O | 2.2cm H ₂ O |
| Resistance at 60L/min | 2.7cm H ₂ O | 2.7cm H ₂ O | 3.5cm H ₂ O | 3.9cm H ₂ O | N/A | N/A |
| Compressible volume | 57ml | 57ml | 57ml* | 57ml* | 29ml | 28ml |
| Weight | 30g | 31g | 45g | 58g | 19g | 20g |
| Connectors | 22ID/15OD – 22OD/15ID | 22ID/15OD – 22OD/15ID | 22ID/15OD – 22OD/15ID | 22ID/15OD – 22OD/15ID | 15OD-22ID/15ID | 22ID/15OD-22OD/15ID |
| Minimum tidal volume | >180ml | >180ml | >180ml | >180ml | >90ml | >90ml |
| Accessories | | | Superset™ catheter mount** | Smoothbore catheter mount with double swivel elbow and double flip-top cap | | |

 Sterile

* HMEF only

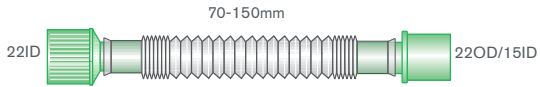

** Refer to information on catheter mount volumes in Patient Connections on page 4.



Superset™ catheter mount

Superset catheter mounts have a concertina design to allow for complete positioning control.

The design allows the adjustment of compressible volume and the adjustment of length from 70mm to 150mm, excluding connectors.

| | |
|---|--|
|  | |
| Code | 3504031S  |
| Box Qty. | 50 |
| Compressible Volume | 22-43ml |

 Sterile

US Lit No 91.2 • Issue Date 09.19